

## Turtle Filter

- Patented design
- Pleated Media for High Dirt Holding Capacity
- Available PE & Paper elements
- Can be ordered element only
- Compact size
- Easy to disassemble
- Moisture resistant\*
- Washable filter element-lukewarm water & mild detergent \* \* Only for PE element



### Order no.

**VTF34 - 2**

①                      ②

① Model

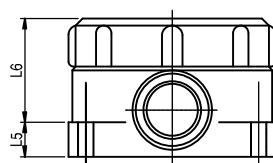
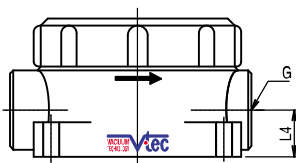
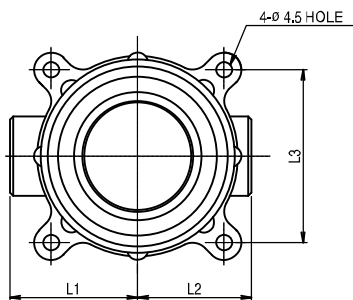
- VTF38
- VTF12
- VTF34

② Element material

- 1 - Paper
- 2 - Polyester(PE)

### Characteristics

Model	Port Size	Internal Volume (cm <sup>3</sup> )	Removal Efficiency (μ)	Material	Working Temperature	Weight (g)	Filter Element Model
VTF38 - 1	G3/8"	35	Paper:2 Polyester:5	PA PC PE Paper	-26 °C ~ +104 °C	0.08	VTFE341
VTF38 - 2	G3/8"	35				0.08	VTFE342
VTF12 - 1	G1/2"	150				0.22	VTFE501
VTF12 - 2	G1/2"	150				0.22	VTFE502
VTF34 - 1	G3/4"	160				0.2	VTFE501
VTF34 - 2	G3/4"	160				0.2	VTFE502



(mm)

Model	L1	L2	L3	L4	L5	L6	G
VTF38-1(2)	37	33	50	13.5	10	30	G3/8"
VTF12-1(2)	57	52	76	19	10	47	G1/2"
VTF34-1(2)	57	52	76	19	10	47	G3/4"